

This document is the property of Amphenol Corporation and is delivered on the express condition that it is not to be disclosed, reproduced or used, in whole or in part, for manufacture or sale by anyone other than Amphenol Corporation without its prior consent, and that no right is granted to disclose or to use any information in this document.

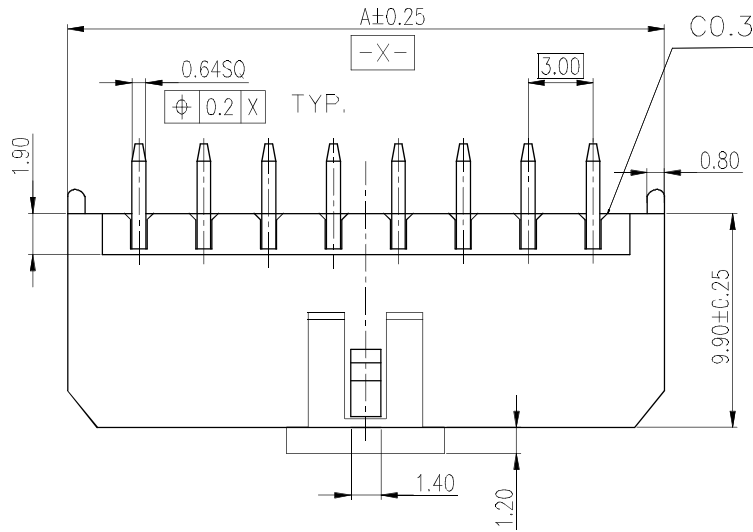
The marking on this product doesn't contain environmental hazardous materials per Material Specification SS-00259 for Sony GP compliant or per directive 2011/65/EU for RoHS compliant.



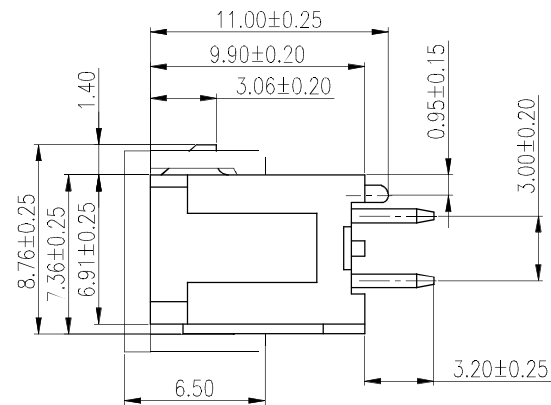
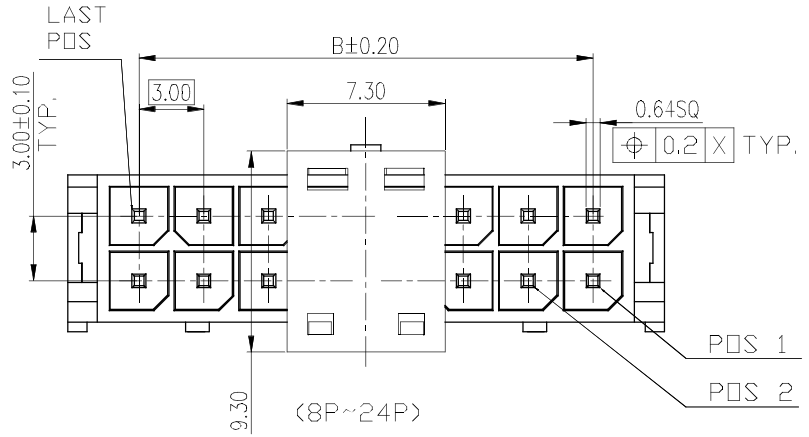
ORIGINAL



REVISIONS				
SYM	ECN No.	DESCRIPTION	DATE	APPROVED
A	NE-12149	RELEASE FOR RoHS	08/16/2012	Arron Lin
B	NE-13034	MODIFY PLATING TO OVERALL	03/13/2013	Arron Lin
C	NE-14168	UPDATE TRAY PACKING QUANTITY ADD T&R AND 2 POS.	09/05/2014	Arron Lin
D	NE-15114	CHG T&R PKG CARRIER WIDTH FROM 24 TO 32	09/15/2015	Roger Tsai



- NOTE:
- INSULATOR: HIGH TEMP. THERMOPLASTIC, LCP, UL 94V-0, COLOR: BLACK.
 - CONTACT MATERIAL: COPPER ALLOY;
 - FINISH:
 - CONTACT AREA: SELECTIVE PLATING OPTIONS;
 - SOLDERING AREA: MATTE TIN PLATING 100 μ" MIN OR GOLD PLATING;
 - UNDER PLATING: NICKEL PLATING 50 μ" THICKNESS MIN. OVERALL
 - THIS PRODUCT DOESN'T ENVIRONMENTAL HAZARDOUS MATERIALS PER DIRECTIVE 2011/65/EU FOR RoHS.
 - APPLICABLE P.C.BOARD THICKNESS: 1.60mm
 - PACKING MUST BE PER Amphenol PACKING SPECIFICATION



24	39.60	33.00
22	36.60	30.00
20	33.60	27.00
18	30.60	24.00
16	27.60	21.00
14	24.60	18.00
12	21.60	15.00
10	18.60	12.00
08	15.60	9.00
06	12.60	6.00
04	9.60	3.00
02	6.60	NA
NO. OF CIRCUIT	A	B

PART NO. G881AXX1X2XT3EU

- No. OF CIRCUIT
- CONTACT FINISH
- 0: Tin (OVERALL)
 - 1: FLASH GOLD (OVERALL)
 - 2: 15 μ" GOLD
 - 3: 30 μ" GOLD
- PACKING OPTIONS
- BLANK: TRAY (W/O CAP)
 - R: T&R (W/CAP)

TOLERANCE	APPROVALS	DATE	TITLE		UNIT		SIZE		PART No.			
X. X.X ±0.30 X.XX ±0.20 X.XXX ±0.10	DRAWN Aqua Chou	09/15/2015	G881A SERIES MICRO POWER, WAFER 3.00 MM PITCH STRAIGHT DIP, W/O KINK		mm	A3	PART No.		G881AXX1X2XT3EU			
	CHECKED Roger Tsai	09/15/2015					SCALE		SHEET		DWG No.	
	APPROVED Roger Tsai	09/15/2015					NA		1 OF 4		G881AXX1X2XT3EU	
ANGULAR ±1°	DWG TYPE CUST DWG	PROJECT CODE PHD							REV. D			
UNLESS OTHERWISE SPECIFIED												

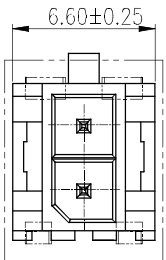
This document is the property of Amphenol Corporation and is delivered on the express condition that it is not to be disclosed, reproduced or used, in whole or in part, for manufacture or sale by anyone other than Amphenol Corporation without its prior consent, and that no right is granted to disclose or to use any information in this document.

The marking on this product doesn't contain environmental hazardous materials per Material Specification SS-00259 for Sony GP compliant or per directive 2011/65/EU for RoHS compliant.

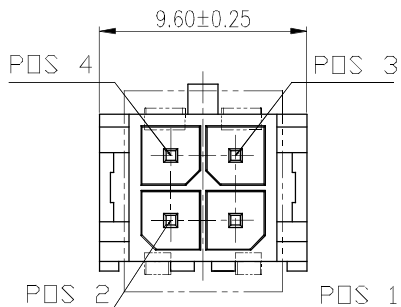
ORIGINAL



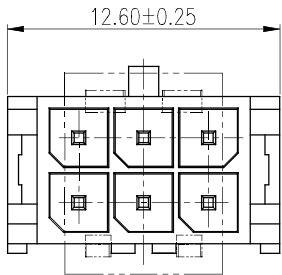
REVISIONS				
SYM	ECN No.	DESCRIPTION	DATE	APPROVED
A	NE-12149	RELEASE FOR RoHS	08/16/2012	Arron Lin
B	NE-13034	MODIFY PLATING TO OVERALL	03/13/2013	Arron Lin
C	NE-14168	UPDATE TRAY PACKING QUANTITY ADD T&R AND 2 POS.	09/05/2014	Arron Lin
D	NE-15114	CHG T&R PKG CARRIER WIDTH FROM 24 TO 32	09/15/2015	Roger Tsai



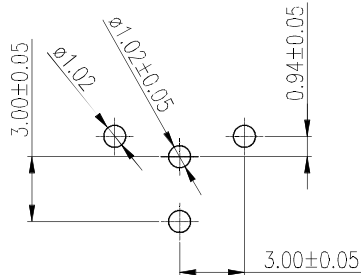
(2X1POS)



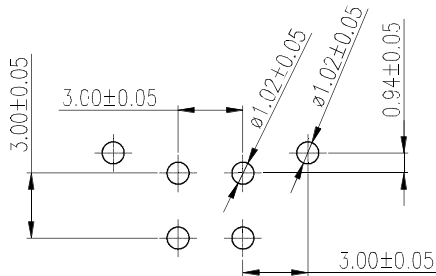
(2X2POS)



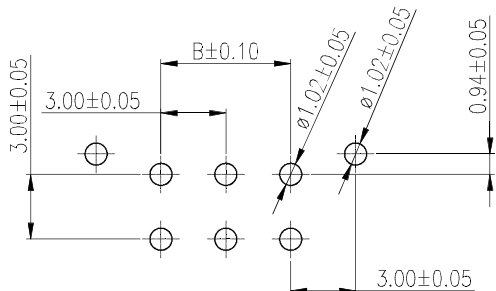
(2X3POS)



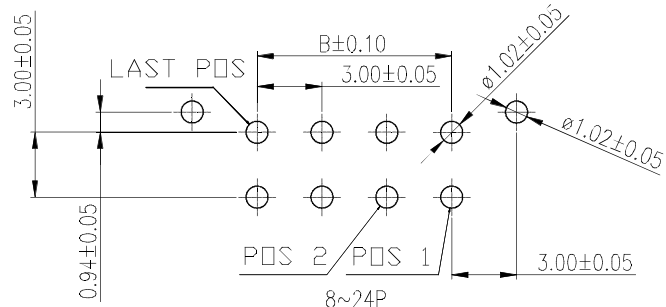
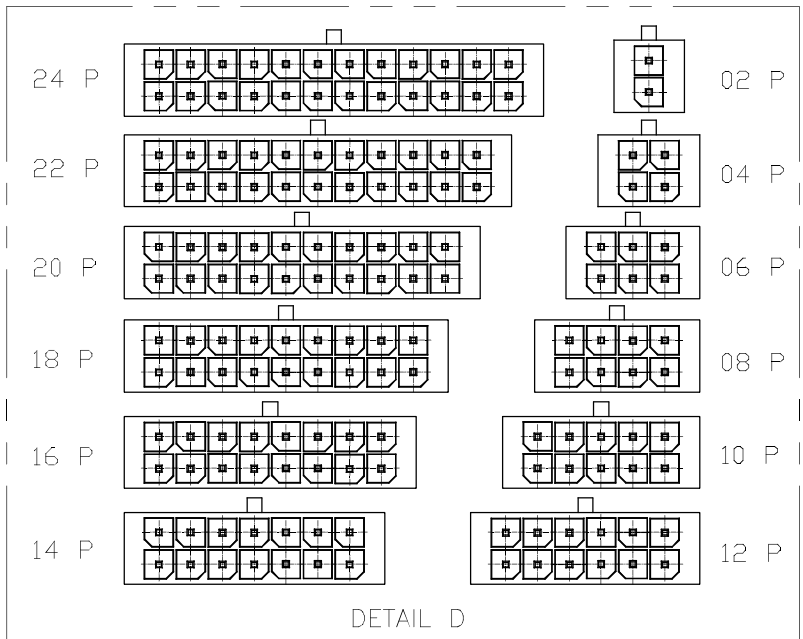
2X1 POSITIONS
RECOMMENDED PCB LAYOUT



2X2 POSITIONS
RECOMMENDED PCB LAYOUT



2X3 POSITIONS
RECOMMENDED PCB LAYOUT



8~24P
RECOMMENDED PCB LAYOUT

TOLERANCE	APPROVALS	DATE	TITLE		PART No.	
X. ±0.30	DRAWN Aqua Chou	09/15/2015	G881A SERIES MICRO POWER, WAFER 3.00 MM PITCH STRAIGHT DIP, W/O KINK		Amphenol [®] Amphenol Corporation Amphenol Taiwan Corporation	
X.X ±0.20	CHECKED Roger Tsai	09/15/2015				
X.XX ±0.10	APPROVED Roger Tsai	09/15/2015	UNIT mm		SIZE A3	PART No. G881AXX1X2XT3EU
ANGULAR ±1°	DWG TYPE CUST DWG	PROJECT CODE PHD	SCALE NA		SHEET 2 OF 4	DWG No. G881AXX1X2XT3EU
UNLESS OTHERWISE SPECIFIED						REV. D

This document is the property of Amphenol Corporation and is delivered on the express condition that it not be disclosed, reproduced or used, in whole or in part, for manufacture or sale by anyone other than Amphenol Corporation without its prior consent, and that no right is granted to disclose or to use any information in this document.

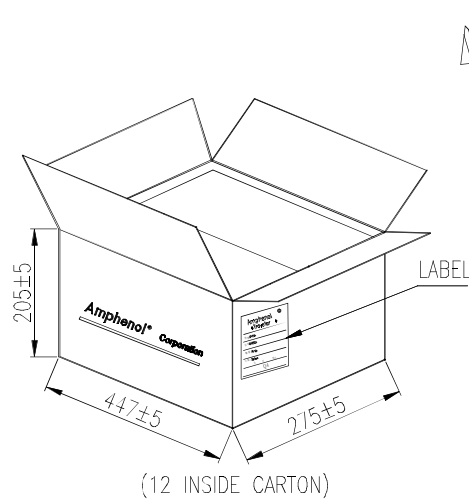
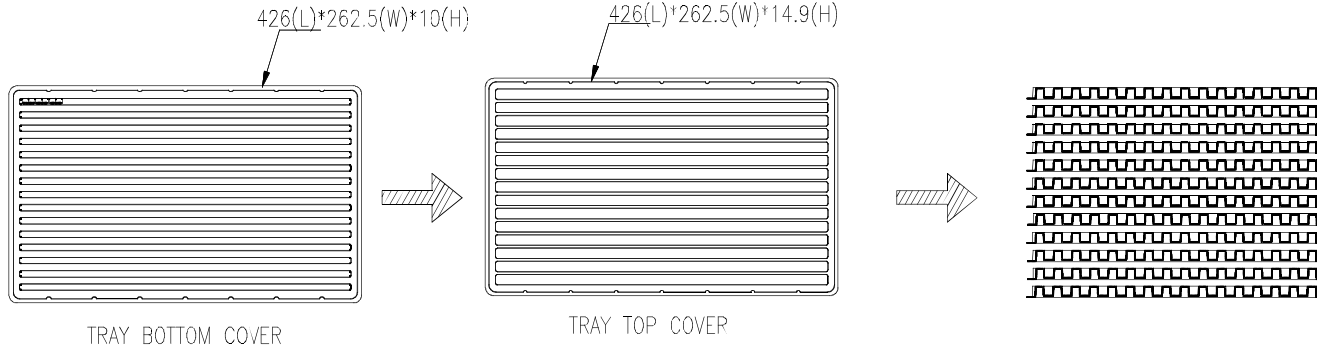
The marking on this product doesn't contain environmental hazardous materials per Material Specification SS-00259 for Sony GP compliant or per directive 2011/65/EU for RoHS compliant.



ORIGINAL



REVISIONS				
SYM	ECN No.	DESCRIPTION	DATE	APPROVED
A	NE-12149	RELEASE FOR RoHS	08/16/2012	Arron Lin
B	NE-13034	MODIFY PLATING TO OVERALL	03/13/2013	Arron Lin
C	NE-14168	UPDATE TRAY PACKING QUANTITY ADD T&R AND 2 POS.	09/05/2014	Arron Lin
D	NE-15114	CHG T&R PKG CARRIER WIDTH FROM 24 TO 32	09/15/2015	Roger Tsai



POS	PCS/TRAY	PCS/CARTON
02	900	10800
04	615	7380
06	465	5580
08	375	4500
10	315	3780
12	270	3240
14	240	2880
16	210	2520
18	180	2160
20	165	1980
22	150	1800
24	150	1800

- NOTE:
- MATERIAL : BLACK CONDUCTIVE POLYSTYRENE ALLOY
 - ALL DIMENSIONS MEET EIA-481-C REQUIREMENTS.
 - THICKNESS : 0.80±0.05mm.

TOLERANCE	APPROVALS	DATE	TITLE		Amphenol [®]	
X. ±0.30	DRAWN Aqua Chou	09/15/2015	G881A SERIES MICRO POWER, WAFER 3.00 MM PITCH STRAIGHT DIP, W/O KINK		Amphenol Corporation Amphenol Taiwan Corporation	
X.X ±0.20	CHECKED Roger Tsai	09/15/2015				
X.XXX ±0.10	APPROVED Roger Tsai	09/15/2015				
ANGULAR ±1°	DWG TYPE CUST DWG	PROJECT CODE PHD	UNIT mm	SIZE A3	PART No. G881AXX1X2XT3EU	
UNLESS OTHERWISE SPECIFIED			SCALE NA	SHEET 3 OF 4	DWG No. G881AXX1X2XT3EU REV. D	

This document is the property of Amphenol Corporation and is delivered on the express condition that it not be disclosed, reproduced or used, in whole or in part, for manufacture or sale by anyone other than Amphenol Corporation without its prior consent, and that no right is granted to disclose or to use any information in this document.

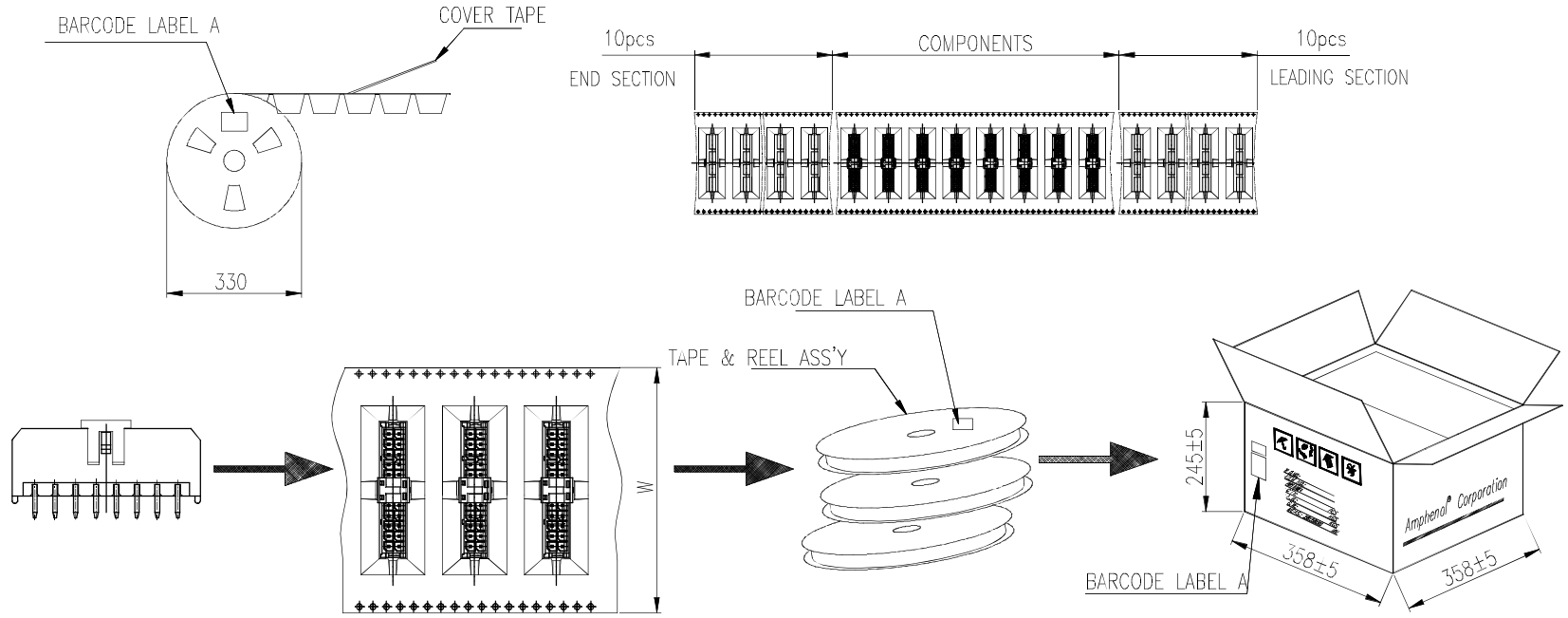
The marking on this product doesn't contain environmental hazardous materials per Material Specification SS-00259 for Sony GP compliant or per directive 2011/65/EU for RoHS compliant.



ORIGINAL



REVISIONS				
SYM	ECN No.	DESCRIPTION	DATE	APPROVED
A	NE-12149	RELEASE FOR RoHS	08/16/2012	Arron Lin
B	NE-13034	MODIFY PLATING TO OVERALL	03/13/2013	Arron Lin
C	NE-14168	UPDATE TRAY PACKING QUANTITY ADD T&R AND 2 POS.	09/05/2014	Arron Lin
D	NE-15114	CHG T&R PKG CARRIER WIDTH FROM 24 TO 32	09/15/2015	Roger Tsai



POS	W(mm)	PCS/REEL	PCS/CARTON
02	32	150	450
04	72		
06			
08			
10			
12			
14			
16			
18			
20	72		
22			
24			

NOTES
 1. MATERIAL: PS. BLACK, 0.5±0.05mm.
 2. ALL DIMENSIONS MEET EIA-481-3 REQUIREMENTS..

TOLERANCE	APPROVALS	DATE	TITLE		PART No.	
X. ±0.30	DRAWN Aqua Chou	09/15/2015	G881A SERIES MICRO POWER, WAFER 3.00 MM PITCH STRAIGHT DIP, W/O KINK		Amphenol® Amphenol Corporation Amphenol Taiwan Corporation	
X.X ±0.20	CHECKED Roger Tsai	09/15/2015				
X.XXX ±0.10	APPROVED Roger Tsai	09/15/2015				
ANGULAR ±1°	DWG TYPE CUST DWG	PROJECT CODE PHD	UNIT mm	SIZE A3	G881AXX1X2XT3EU	
UNLESS OTHERWISE SPECIFIED			SCALE NA	SHEET 4 OF 4	DWG No. G881AXX1X2XT3EU	REV. D